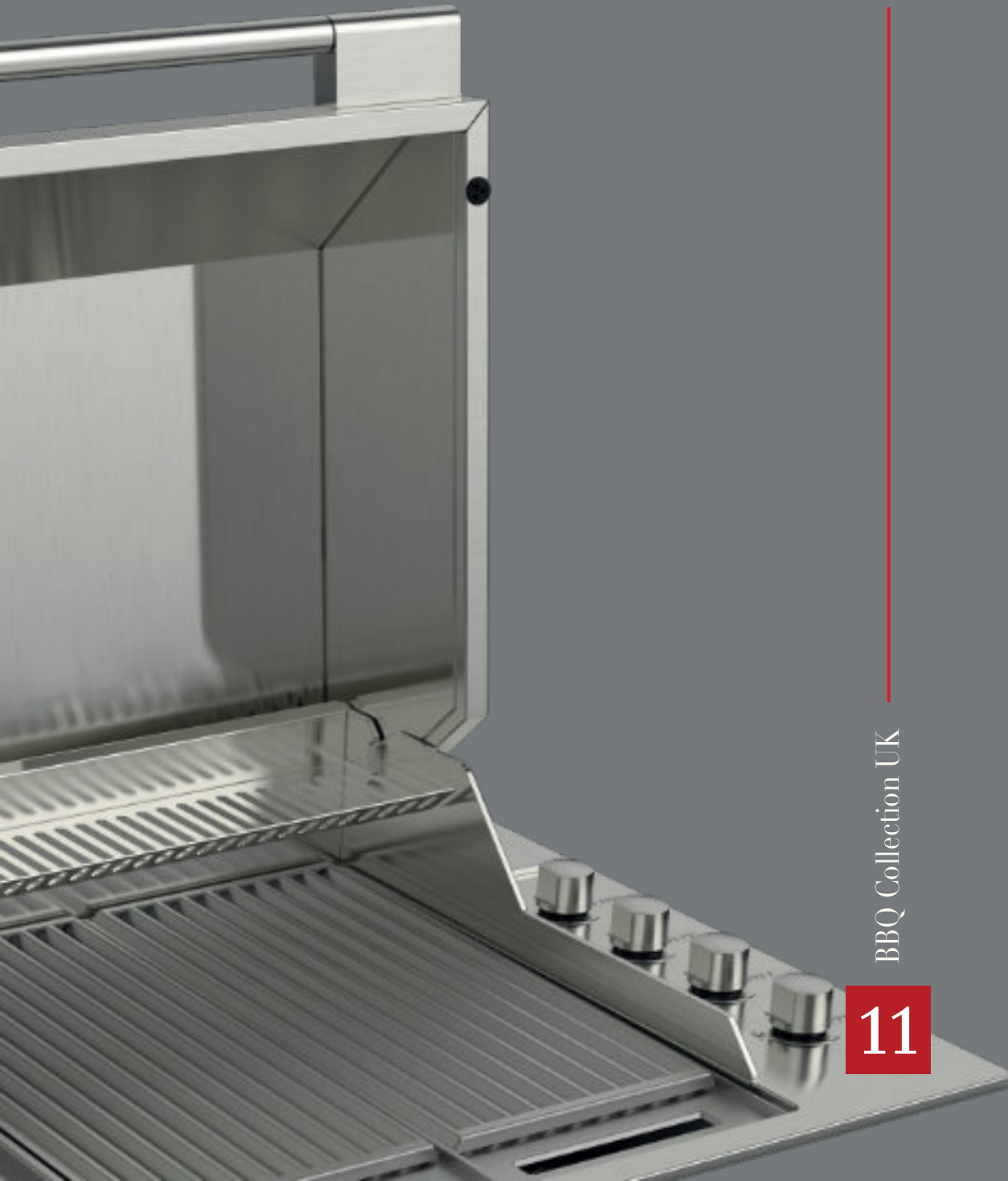


FULGOR
MILANO

BBQ



BBQ Collection UK

11



FULGOR
MILANO

SINCE 1949

PASSIONE ITALIANA

FULGOR MILANO, with more than 70 years long history, sink deep its roots in the know-how of the territory where it has developed. Its leading principles are the will to marry beauty with practicality, innovation with elegance, form with precision, to meet the needs of our ever-changing everyday life.

Nowadays technologies have introduced a lot of new opportunities, new demands, but also improvements and ways to achieve the desired results, which has led to meet the need for change and renovation so common in all human beings. The huge availability of information, something never seen before, has given you the freedom to choose between the different options with more awareness.

The heartiness and joyfulness of our lives are assured by the use of tools that are simple to use, efficient, and aesthetically pleasing at the same time. This will give us more time to spend with the people we love and in more meaningful activities. With our products, our goal is to enable you to experience the happiness of cooking, while enjoying the company of your family and friends, all gathered together to taste the masterpieces of your culinary art.

For this reason, FULGOR MILANO continues to offer more and more options for those who love cooking, for those who want to become chefs in their own homes, for those who are already professional cooks or enjoy the pleasures of outdoor cooking. We want not only to give you the best technologies available, but also products that follow the latest aesthetic trends, but that can be reliable and a point of reference in the years to come.

Gianni Meneghetti

General Manager

NEW

FULGOR
MILANO

PROFESSIONAL OUTDOOR BBQ

OUTDOOR COOKING

Grilling, cooking, roasting meats, fish or vegetables open air in your garden, by the pool, or on a large terrace: these are the possibilities offered by our OUTDOOR line.

NEW

OUTDOOR BBQ

PROFESSIONAL

CLEANING AND MAINTENANCE

Thanks to its structure and cooking surfaces in stainless steel, our barbecue is easy to clean and to maintain. Stainless steel is an ideal material, since it offers an igienic surface and it doesn't alter the taste of food to which comes in contact. Each element is easy to disassemble. Plate and griddles are easy to remove.

TEPPANYAKI

The Teppanyaki surface allows you to cook directly on its surface both vegetables and shellfish without the need of adding any condiment. The Teppanyaki - griddles configuration can be rearranged according to your needs, moving also the deflectors positioned over the flame beaneath the griddles.

GRILLING

The large steel griddles supplied with the barbecue allow you to cook large portions of meat or fish, based on what you need. As on request accessory is available cast-iron griddles.

LIDS

Two possible options: a standard lid, which protects the cooking surface after cooking, and a high lid that allows you to cook roasts with heat maintenance inside, equipped with a thermometer and a large handle.

SAFETY

No electrical wiring needed, just a battery for lighting the burners; the gas burners are equipped with a Flame-out Sensing valve.

METAL KNOBS

Robust and sizable brushed metal knobs ensure easy handling and precise control while cooking.

OUTDOOR






100 GAS BARBECUE

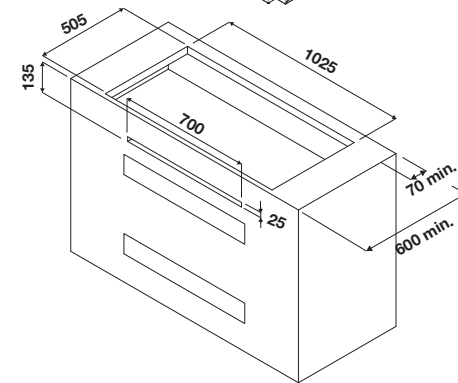
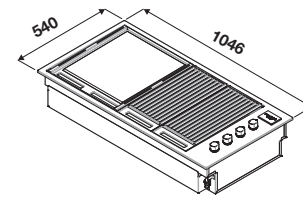
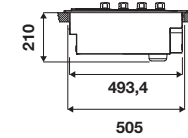
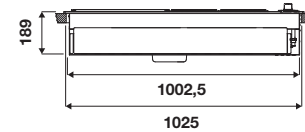


CODE ID

FOBQ 1000 G X



-  Gas supply
-  Gas safety
-  Teppanyaki
-  Grill
-  Stainless steel grids



OUTDOOR GAS BARBECUE

AISI 316 stainless steel

PERFORMANCE

4 tubular gas burners, in line, usable with both NG and LPG, Total power 15.2 kW
Grilling and roasting

FEATURES

Metal knobs with lateral position Electronic ignition (with battery)
2 stainless steel grids (split)
Stainless steel plate (Teppanyaki)
Removable grease collector, oil and cooking residues.

SAFETY

GasProtekt
Gas detection and stop system

OPTIONAL ACCESSORIES

FOBQ GR X Pair of stainless steel grids
FOBQ GR CAST Pair of cast iron grids
FOBQLL 1000 X standard lid
FOBQHL 1000 X high lid for roasting



STAINLESS STEEL
FOBQ 1000 G X

OUTDOOR

HIGH LID

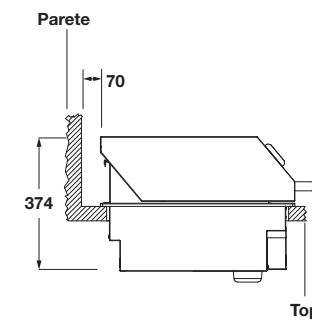
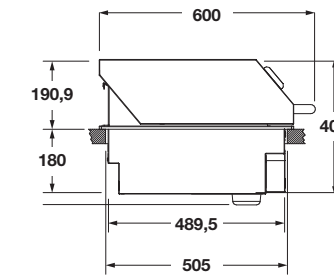
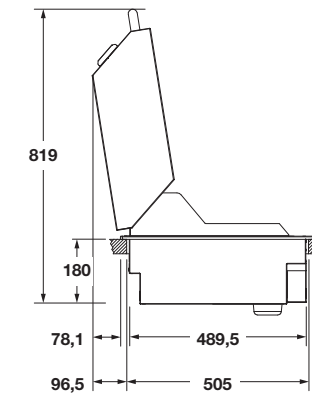
CODE ID

FOBQ HL 1000 X



HIGH LID

AISI 316 stainless steel
For roasting and keep warm
External thermometer for detection of the cooking temperature
Tubular steel handle



STAINLESS STEEL
FOBQ HL 1000 X

CODE ID

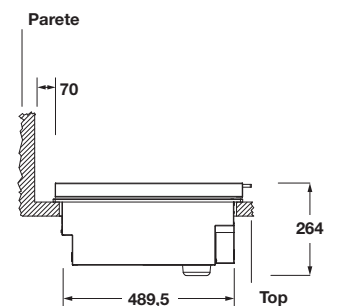
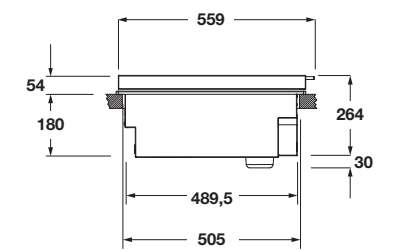
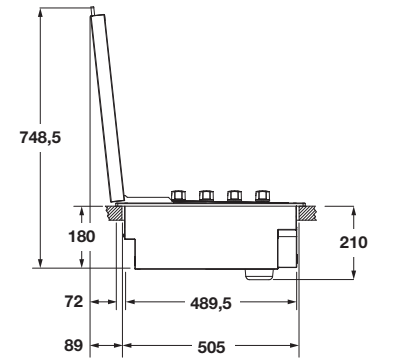
STANDARD LID

FOBQ LL 1000 X



STANDARD LID

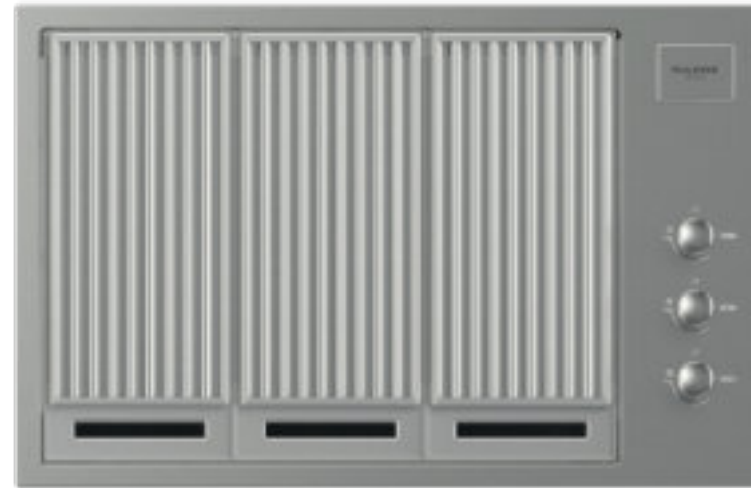
AISI 316 stainless steel
Flat metal handle



STAINLESS STEEL
FOBQ LL 1000 X

OUTDOOR





80 GAS BARBECUE

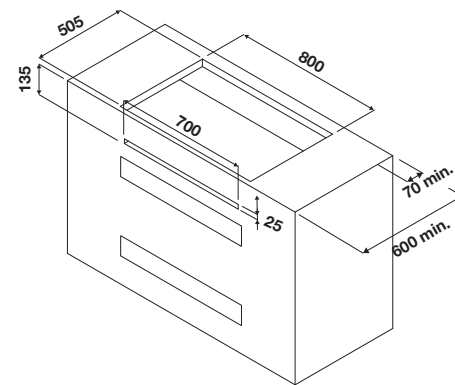
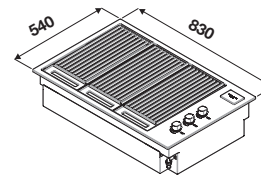
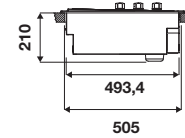
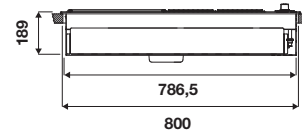


NEW

CODE ID

FOBQ 803 G X

-  Gas supply
-  Gas safety
-  Grill
-  Stainless steel grids



OUTDOOR GAS BARBECUE

AISI 316 stainless steel

PERFORMANCE

3 tubular gas burners, in line, usable with both NG and LPG, Total power 11.4 kW
Grilling and roasting

FEATURES

Metal knobs with lateral position Electronic ignition (with battery)
3 stainless steel grids (split)
Removable grease collector, oil and cooking residues.

SAFETY

GasProtekt
Gas detection and stop system

OPTIONAL ACCESSORIES

FOBQ GR X Pair of stainless steel grids
FOBQ GR CAST Pair of cast iron grids
FOBQ LL 800 X standard lid
FOBQ HL 800 X high lid for roasting



STAINLESS STEEL
FOBQ 803 G X

OUTDOOR

HIGH LID

NEW

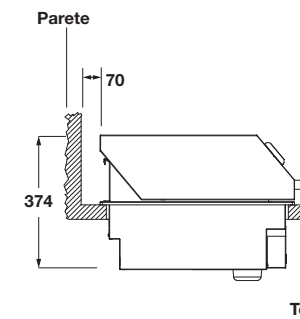
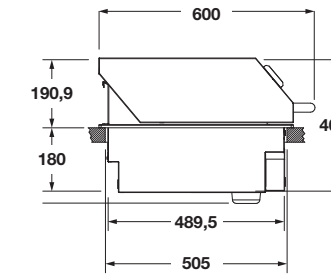
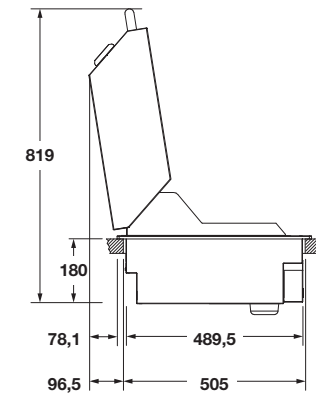
CODE ID

FOBQ HL 800 X



HIGH LID

AISI 316 stainless steel
For roasting and keep warm
External thermometer for detection of the cooking temperature
Tubular steel handle



STAINLESS STEEL
FOBQ HL 800 X

NEW

CODE ID

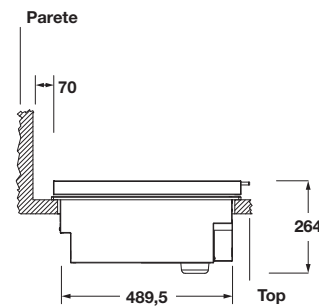
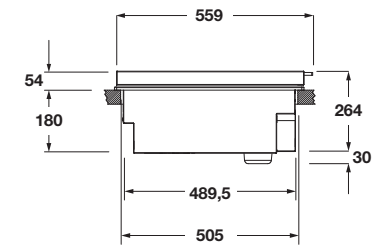
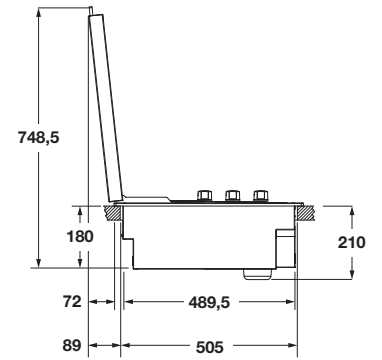
FOBQ LL 800 X

STANDARD LID



STANDARD LID

AISI 316 stainless steel
Flat metal handle



STAINLESS STEEL
FOBQ LL 800 X

OUTDOOR

60 GAS BARBECUE



OUTDOOR GAS BARBECUE

AISI 316 stainless steel

PERFORMANCE

2 tubular gas burners, in line, usable with both NG and LPG, Total power 7.6 kW
Grilling and roasting

FEATURES

Metal knobs with lateral position Electronic ignition (with battery)
2 stainless steel grids (split)
Removable grease collector, oil and cooking residues



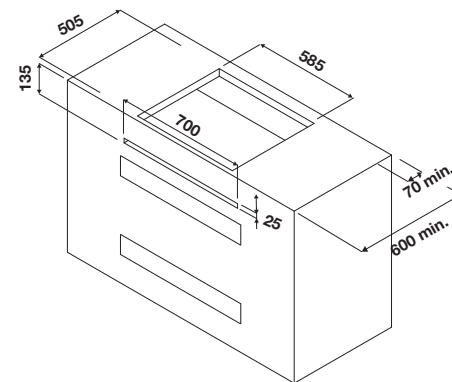
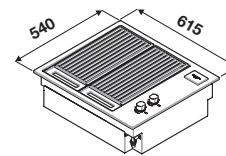
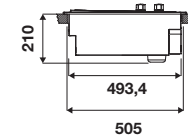
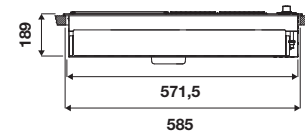
STAINLESS STEEL
FOBQ 602 G X

NEW

CODE ID

FOBQ 602 G X

-  Gas supply
-  Gas safety
-  Grill
-  Stainless steel grids



OUTDOOR

60 GAS TEPPANYAKI



OUTDOOR GAS TEPPANYAKI

AISI 316 stainless steel

PERFORMANCE

2 tubular gas burners, in line, usable with both NG and LPG, Total power 7.6 kW
Grilling and roasting

FEATURES

Metal knobs with lateral position Electronic ignition (with battery)
Stainless steel plate (Teppanyaki)
Removable grease collector, oil and cooking residues






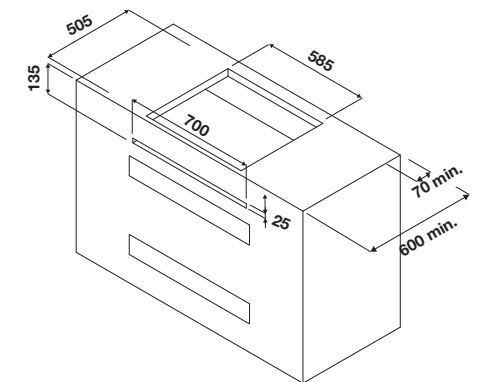
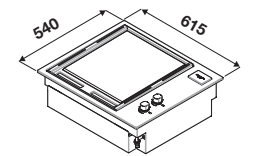
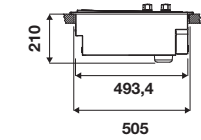
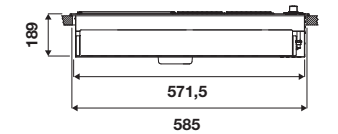
STAINLESS STEEL
FOBQ 601 TY G X

NEW

CODE ID

FOBQ 601 TY G X

-  Gas supply
-  Gas safety
-  Grill
-  Teppanyaki



NEW

NEW

OUTDOOR

CODE ID

CODE ID

HIGH LID

FOBQ HL 600 X

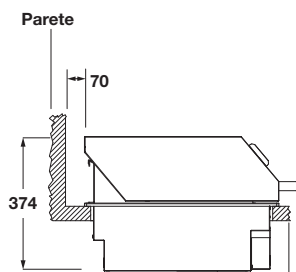
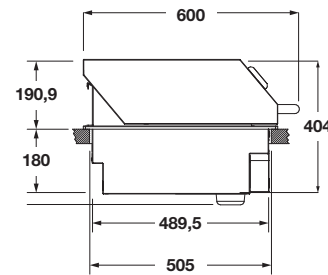
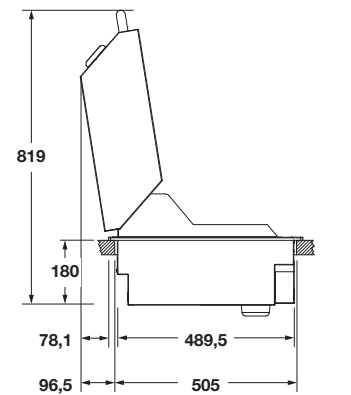
STANDARD LID

FOBQ LL 600 X



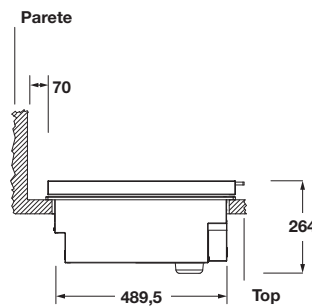
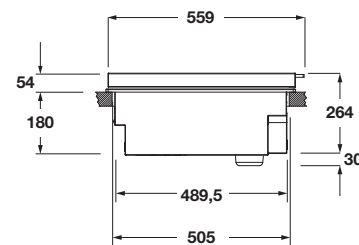
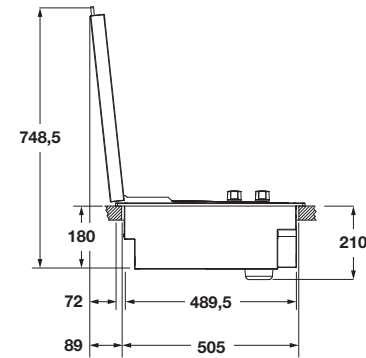
HIGH LID

AISI 316 stainless steel
For roasting and keep warm
External thermometer for detection of the cooking temperature
Tubular steel handle



STANDARD LID

AISI 316 stainless steel
Flat metal handle



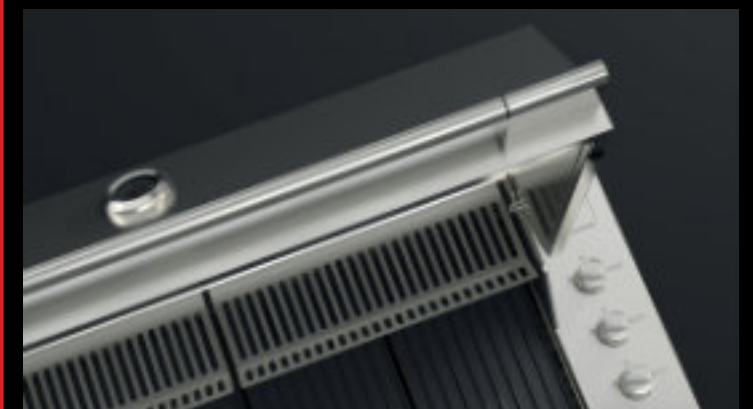
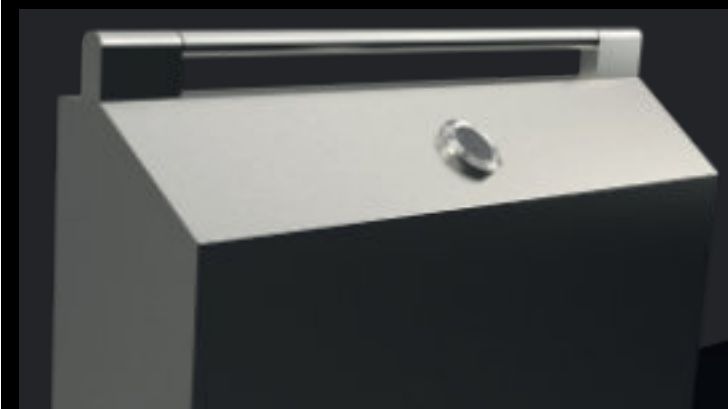
STAINLESS STEEL
FOBQ HL 600 X

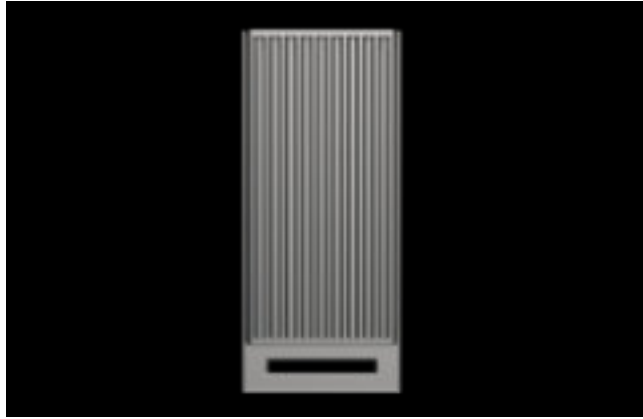


STAINLESS STEEL
FOBQ LL 600 X



BBQ PROFESSIONAL CAST-IRON ACCESSORIES





Stainless steel griddle
CODE **FOBQ GRT X**



Stainless steel Teppanyaki
CODE **FOBQ TY X**



Cast iron griddle
CODE **FOBQ GRT CAST**



Cast iron Teppanyaki
CODE **FOBQ TY CAST**



FULGOR
MILANO

DATA
SHEETS

OUTDOOR

GAS BARBEQUE



	FOBQ 1000 G X	FOBQ HL 1000 X	FOBQ LL 1000 X
Type	Built-in barbecue	High lid	Standard lid
Finishing	Stainless steel	Stainless steel	Stainless steel
EXTERIOR			
Knobs material / no.	Stainless steel / 4	-	-
Lid with double level for roasting	-	•	-
Standard lid	-	-	•
INTERIOR			
Teppanyaki (material)	Stainless steel	-	-
Grids (material)	Stainless steel	-	-
Tubular burners	4	-	-
Internal tub	Black enamel	-	-
Steel handle	-	•	•
FEATURES			
Supply	Gas	-	-
Grids n.	2	-	-
Gastronorm tray to collect liquids	•	-	-
Grid for reheating	-	•	-
Total power of gas burners	15,2 kW	-	-
Electronic ignition	•	-	-
Battery for ignition	•	-	-
Thermometer	-	•	-
Types of gas	NG - LPG	-	-
DIMENSIONS			
Cooking zone width mm	900	-	-
Width mm	1046	920	920
Height mm	189	191	54
Depth mm	540	600	559
Cut-out (W x H x D) mm	1025 x 210 x 505	-	-

OUTDOOR

GAS BARBEQUE



	FOBQ 803 G X	FOBQ HL 800 X	FOBQ LL 800 X
Type	Built-in barbecue	High lid	Standard lid
Finishing	Stainless steel	Stainless steel	Stainless steel
EXTERIOR			
Knobs material / no.	Steel / 3	-	-
Lid with double level for roasting	-	•	-
Standard lid	-	-	•
INTERIOR			
Teppanyaki (material)	-	-	-
Grids (material)	Stainless steel	-	-
Tubular burners	3	-	-
Internal tub	Black enamel	-	-
Steel handle	-	•	•
FEATURES			
Supply	Gas	-	-
Grids n.	3	-	-
Gastronorm tray to collect liquids	•	-	-
Grid for reheating	-	•	-
Total power of gas burners	11,4 kW	-	-
Electronic ignition	•	-	-
Battery for ignition	•	-	-
Thermometer	-	•	-
Types of gas	NG - LPG	-	-
DIMENSIONS			
Cooking zone width mm	650	-	-
Width mm	830	705	705
Height mm	189	191	54
Depth mm	540	600	559
Cut-out (W x H x D) mm	800 x 210 x 505	-	-

OUTDOOR

GAS BARBEQUE



	FOBQ 602 G X	FOBQ 601 TY G X	FOBQ HL 600 X	FOBQ LL 600 X
Type	Built-in barbecue	Built-in Teppanyaki	High lid	Standard lid
Finishing	Stainless steel	Stainless steel	Stainless steel	Stainless steel
EXTERIOR				
Knobs material / no.	Steel / 2	Steel / 2	-	-
Lid with double level for roasting	-	-	•	-
Standard lid	-	-	-	•
INTERIOR				
Teppanyaki (material)	-	Stainless steel	-	-
Grids (material)	Stainless steel	-	-	-
Tubular burners	2	2	-	-
Internal tub	Black enamel	Black enamel	-	-
Steel handle	-	-	•	•
FEATURES				
Supply	Gas	Gas	-	-
Grids n.	-	-	-	-
Gastronorm tray to collect liquids	•	•	-	-
Grid for reheating	-	-	•	-
Total power of gas burners	7,6 kW	7,6 kW	-	-
Electronic ignition	•	•	-	-
Battery for ignition	•	•	-	-
Thermometer	-	-	•	-
Types of gas	NG - LPG	NG - LPG	-	-
DIMENSIONS				
Cooking zone width mm	440	440	-	-
Width mm	615	615	490	490
Height mm	189	189	191	54
Depth mm	540	540	600	559
Cut-out (W x H x D) mm	585 x 210 x 505	585 x 210 x 505	-	-

FULGOR
MILANO

euroline
exclusive appliance importer

Euroline is the exclusive UK importer of Fulgor Milano

8 De Grey Square, De Grey Road, Colchester, Essex, CO4 5YQ

W: www.euroline.co.uk | E: hello@euroline.co.uk | T: 01206 849 900 | F: 01206 615 422