

HIGH PERFORMANCE VENTILATION TECHNOLOGY



OPERA



Model: Fonda 830

FONDA 830 - Standard Motor

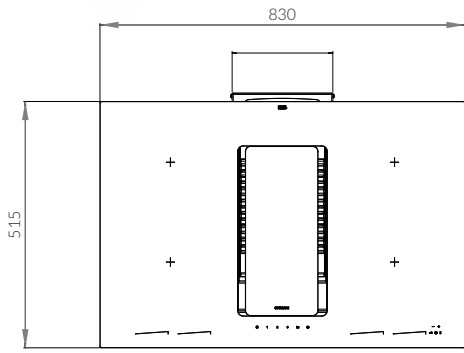
Weight (kg)	22
Lighting	-
Control element	Induction (on glass surface)
Power of free-blowing fan	approx. 1000 m ³ /h
Power of integrated fan with quadruple filtration	approx. 650 m ³ /h
Ventilation technology	Central extraction
Filter technology	Grease filter, Condensation filter, Combination filter consisting of activated carbon & fine particle filter

Cook zones	4
Control element	Touch on glass surface
Features	4 x Slider, Booster / double booster / bridge function, timer, shut-off timer, pot detection
Glass	KeraBlack glass with special decor
Safety	Automatic power, automatic stop, residual heat indicator, child safety lock

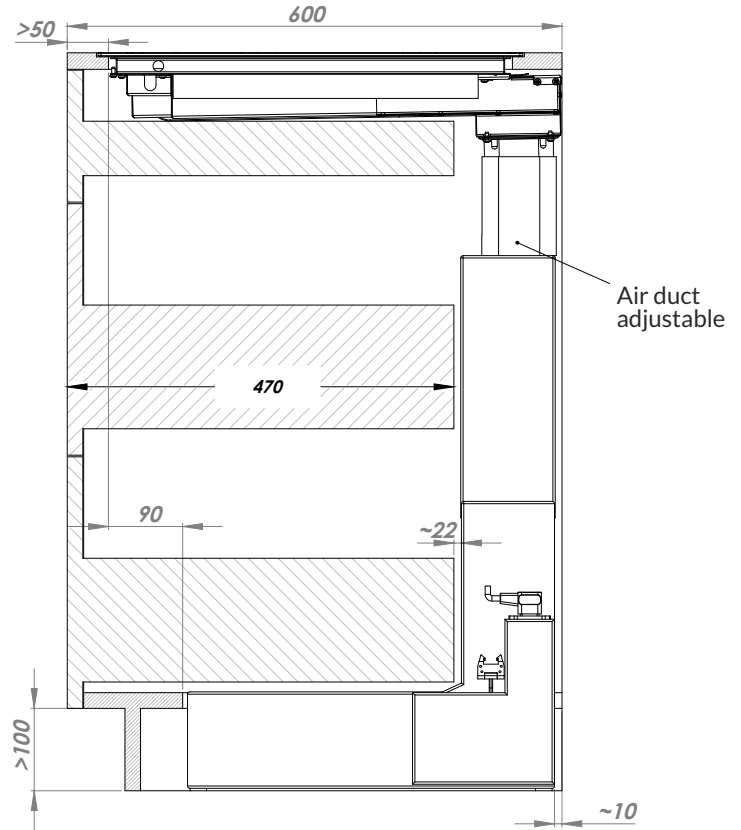
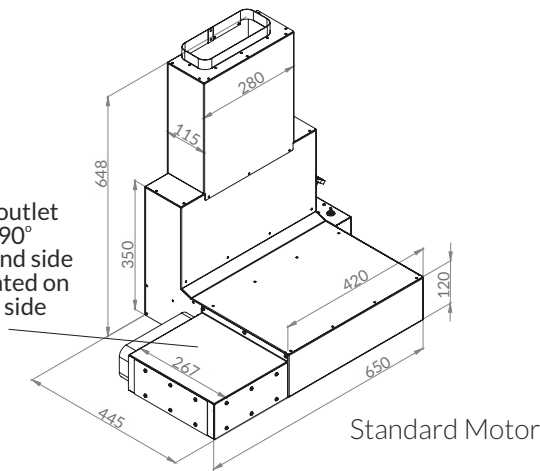


Energy label

Owing to the variety of configuration options, the images are to be considered solely to the purposes of exemplary item illustration.

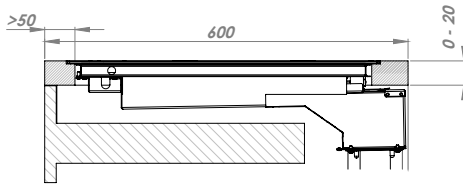


Insulated duct outlet can be rotated 90° so back, front and side can also be located on the left or right side of motor



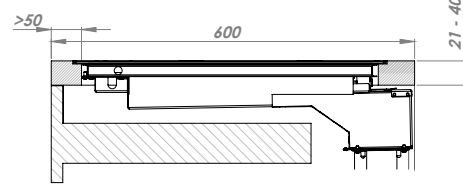
Option 1

Height x1 = 0 - 20mm



Option 2

Height x2 = 21 - 40mm



Downdraft

		Width in mm Y	Depth in mm Z	Height in mm X2	Worktop thickness in mm	Cut-out dimensions in mm C	Cut-out dimensions in mm D	Filter
OP-DFO 83 B 120	B/ducted	830	515	80	0 - 20	805	490	2
OP-DFO 83 B 140	B/ducted	830	515	80	21 - 40	805	490	2
OP-DFO 83 C 120	C/recirculation	830	515	80	0 - 20	805	490	3*
OP-DFO 83 C 140	C/recirculation	830	515	80	21 - 40	805	490	3*

Hob

Planning information	For flush installation and built-in installation
Connection data	Mains voltage 220 - 240V, 50 - 60Hz, Power connection Single phase connection for hob and 13 amp plug for motor
Total connection power	7,4 KW
Induction cooking area, front Booster	2 x 2100 W 3700 W
Induction cooking area, rear Booster	2 x 2100 W 3700 W



Model: Nivel 930

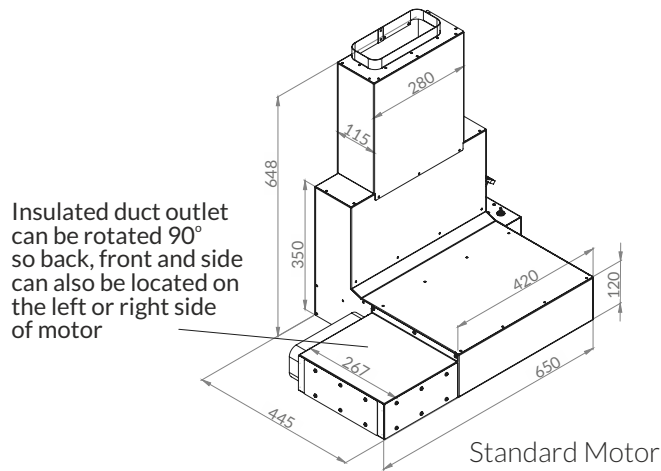
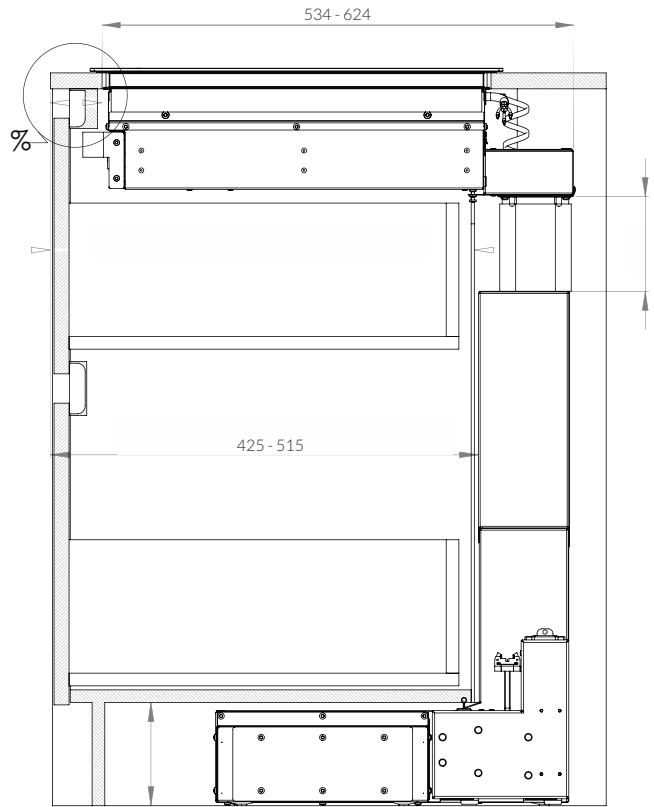
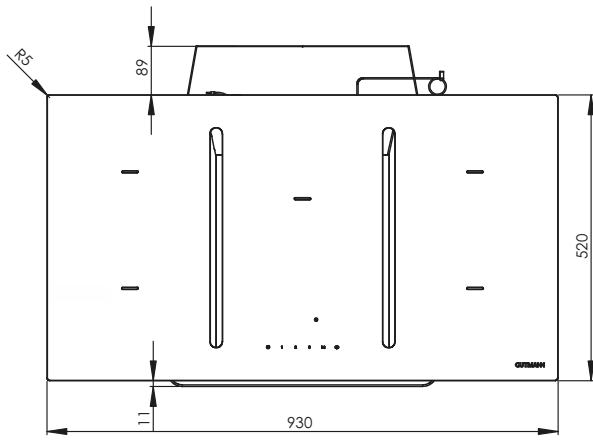
NIVEL 930 - Standard Motor

Lighting	Ambient light (technical drawer)
Control element	Induktion (on glass surface)
Power of free-blowing fan	approx. 1000 m³/h
Ventilation technology	ASE-Technic (Cuction-elements)
Filter technology	Grease filter 15mm, condensation filter
Window contact switch	prepared at factory

Cook zones	5
Control element	Touchon glass surface
Features	Automatic boost, power function for every cooking zone, bridge function, timer, keep warm setting, grill function, pause function, recall function
Glass	Schott ceramic glass with special decor
Safety	Child safety lock, automatic power, residual heat indicator, automatic stop

A+ Energy label

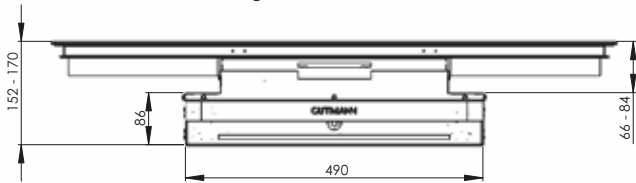
Owing to the variety of configuration options, the images are to be considered solely to the purposes of exemplary item illustration.



Standard Motor

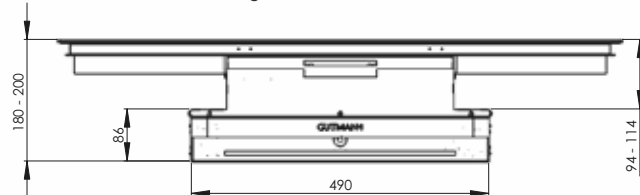
Option 1

Height X1 = 152-170 mm



Option 2

Height X2 = 180-200 mm



Downdraft		Width in mm Y	Depth in mm Z	Height in mm X1	Height in mm X2	Cut-out dimensions in mm C	Cut-out dimensions in mm D	Filter
OP-DNI 93 B 110	B/ducted	930	520	152-170		905	490	2**
OP-DNI 93 B 120	B/ducted	930	520		180-200	905	490	2*
OP-DNI 93 C 110	C/recirculation	930	520	152-170		905	490	3**
OP-DNI 93 C 120	C/recirculation	930	520		180-200	905	490	3*

*includes condensation filter, grease filter and active-carbon filter, ** includes condensation filter and grease filter

Hob

Planning information	For flush installation and built-in installation
Connection data	Mains voltage 220 - 240V, 50 - 60Hz, Power connection Single phase connection for hob and 13 amp plug for motor
Connected load	10,4 KW
Bridge function:	right and left each 3,7 KW



Model: Viento 830

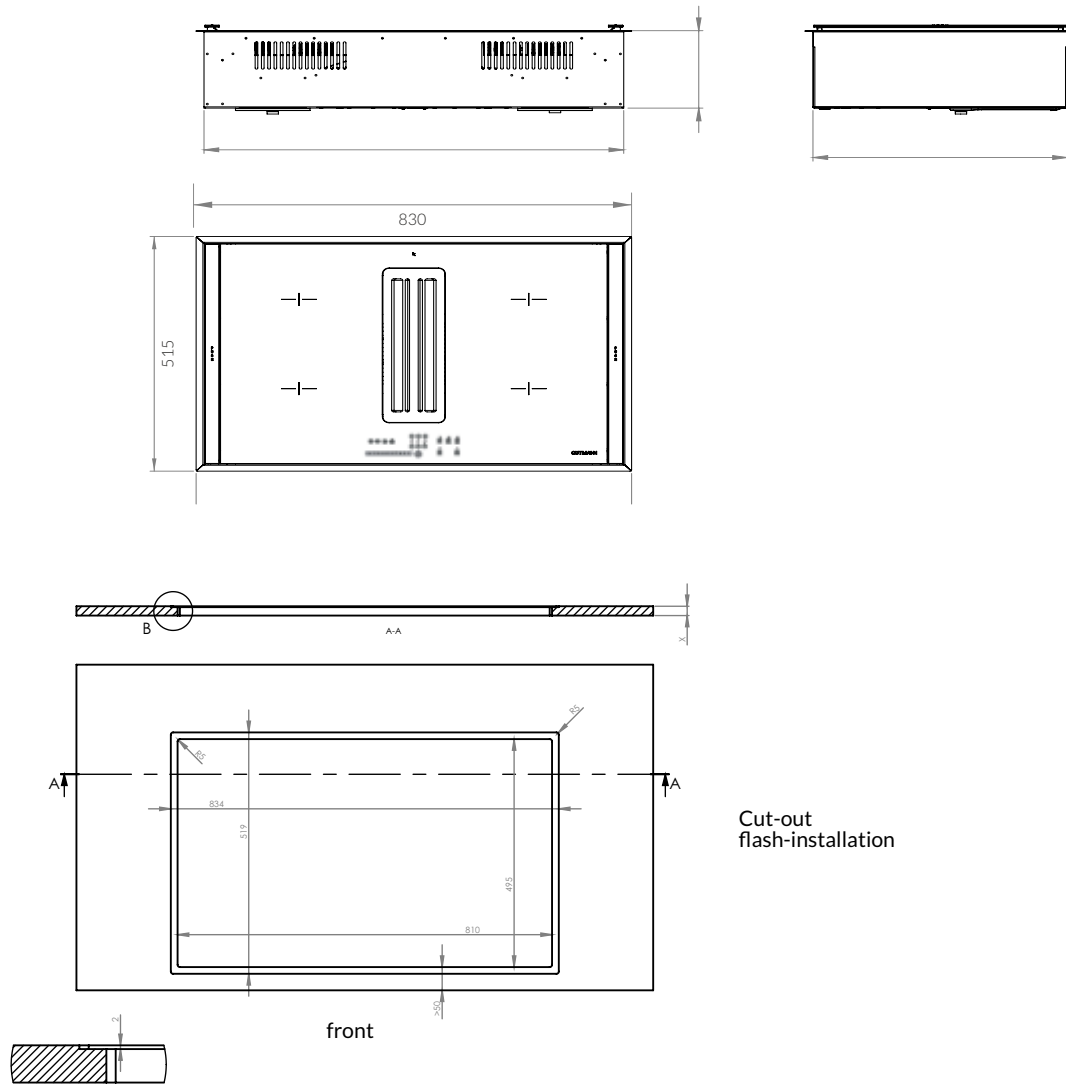
VIENTO 830 - Internal Motor

Weight (kg)	28
Lighting	-
Control element	Touch (on glass surface)
Power of internal fan	720 m ³ /h
Ventilation technology	Central extraction
Filter technology	1 x grease filters, 1 x active active carbon filters

Cooking zones	4
Control element	Touch on glass surface
Features	Booster-/ Grill-/ Bridge function, Timer, Shut-off timer, Pot detection
Glass	KeraBlack glass with special decor
Safety	Auto-Power, Auto-Stop, Residual heat indicator, Child safety lock

A+ Energy label

Owing to the variety of configuration options, the images are to be considered solely to the purposes of exemplary item illustration.



Cut-out
flash-installation

Please note:

- Scope of delivery: **Downdraft**, Induction cook area, Motor, 1x filter cassette incl. 1x grease- and 1x active carbon filters

Downdraft	Blower model	Width in mm	Depth in mm	Height in mm	Cut-out dim. in mm	Cut-out dim. in mm	Filter
DVI 83 C11	C/recirculation	830	515	170	805	490	2

Hob

Planning information	For flush installation
Connection data	Mains voltage 220 - 4240V~, 50/60 Hz
Total connection power	7,4 KW
Induction cooking area, front	2 x 2100 W
Booster	3700 W
Induction cooking area, rear	2 x 2100 W
Booster	3700 W

euroline

exclusive appliance importer

Euroline is the exclusive UK importer of Opera

8 De Grey Square, De Grey Road, Colchester, Essex, CO4 5YQ

W: www.euroline.co.uk | **E:** hello@euroline.co.uk | **T:** 01206 849 900 | **F:** 01206 615 422